

# HDMI over IP Extender With Looped Output



## Key Features

- Extends up to 100m over CAT5e/6
- HDMI 1.4b, HDCP 1.4
- Uses H.265 encoding
- 1080p/60Hz, YCbCr 4:4:4
- LPCM 2.0 Channel, 48KHz
- Bandwidth 10.2Gbps
- Looped HDMI output on transmitter
- IR Pass-Through for source control
- Uses 1G Ethernet
- Compact design

## Description

HDMI over IP Extender is based on AV over IP solution for distribution of one HD content to one HD display device or to multiple HD display devices over a standard 1G network switcher, and extends distance up to 100m/328ft between encoder and decoder via CAT5e/6 cable. It offers configurable high quality, low-bandwidth H.265 compression video. The resolution up to 1920 x 1200@ 60Hz YCbCr 4:4:4. It also supports HDMI loop output.

HDMI over IP Extender includes two units: Encoder unit and Decoder unit. Encoder unit is used to capture the HDMI input with IR blaster signal and carries the signals via one effective CAT5e/6 cable, and Encoder unit can also support HDMI loop output. The Decoder unit is responsible for outputting HDMI signal from Encoder unit with IR receiver signal. The product offers the most convenient solution for HDMI extension over a single CAT5e/6 and is the perfect solution for any application.

## Specifications

### Connectivity

#### *Transmitter*

**HDMI Input:** 1 x HDMI Type A, 19-Pin Female

**HDMI Output (Looped):** 1 x HDMI Type A, 19-Pin Female

**CAT5e/6 Output:** 1 x RJ45 Data Socket

**Infra-Red Out:** 1 x 3.5mm Jack Socket

**Power:** 1 x 2.1mm DC Jack

#### *Receiver*

**CAT5e/6 Input:** 1 x RJ45 Data Socket

**Infra-Red Input:** 1 x 3.5mm Jack Socket

**HDMI Output:** 1 x HDMI Type A, 19-Pin Female

**Power:** 1 x 2.1mm DC Jack

### Signal

**Signal Input:** HDMI

**Standards:** HDMI 1.4b, HDCP 1.4

**Bandwidth:** 10.2Gbps

**Video Resolutions:** 1080p/60Hz, 4:4:4

**Colour Space:** RGB/YCbCr 4:4:4, YCbCr 4:2:2

**Colour Depth:** 8-bit

**Audio:** LPCM 2.0, 48KHz

**Infra-Red:** Wide Bandwidth, Frequency 20KHz to 60KHz (940nm)

### Power

**Type:** 2 x AC to DC Mains Adaptor (Tx and Rx require power)

**Input:** 100~240V AC 50/60Hz

**Output:** Transmitter 5V/1A

**Consumption:** Transmitter 1.5W and Receiver 1.25W

### Environment

**Operating Temperature:** -0° to 40°C

**Storage Temperature:** -20° to 60°C

**Operating Humidity:** 20 to 90% RH (no condensation)

**Dimensions:** Tx = (W) 61 x (D) 88 x (H) 16, Rx = (W) 61 x (D) 88 x (H) 16

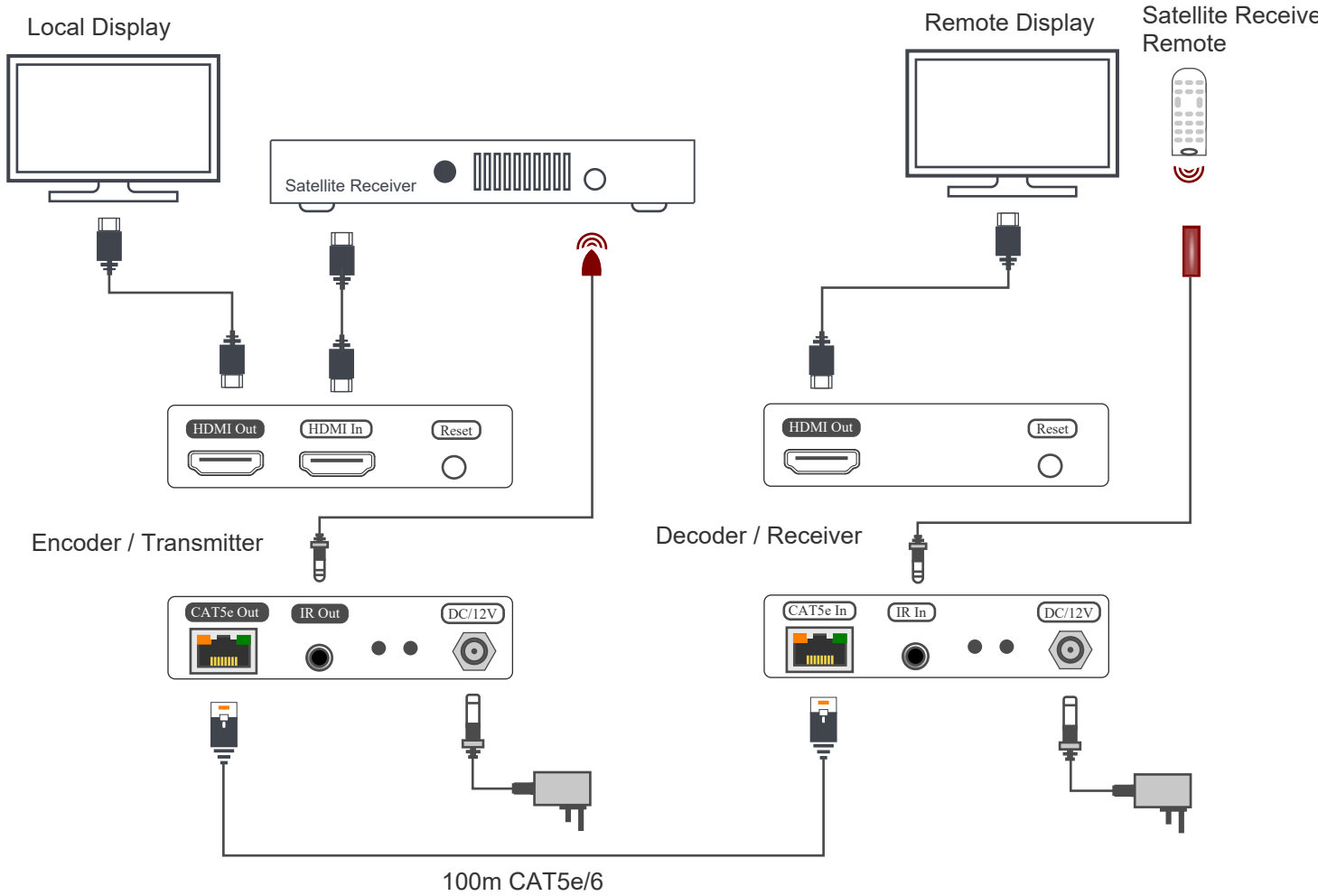
**Weight:** Tx = 155g, Rx = 150g

**Colour:** Black

**ESD:** Human Body - +/-8kV, (air gap discharge) & +/-4kV (contact discharge)

**Safety and Emissions:** CE, FCC, RoHS

Application Drawing



Application Drawing

